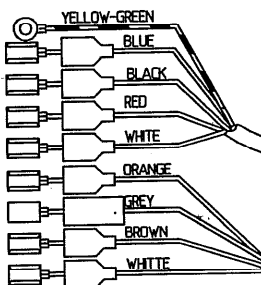
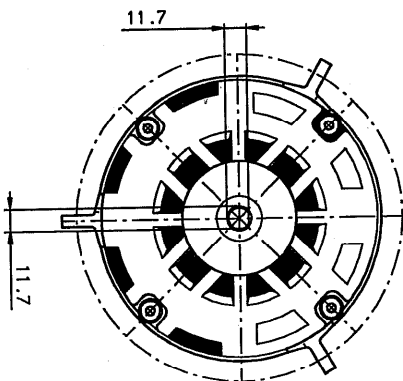
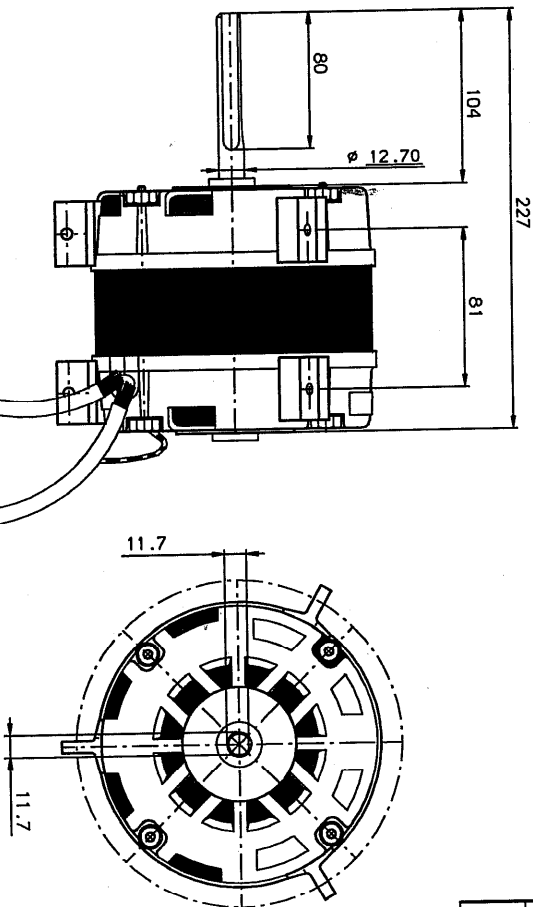
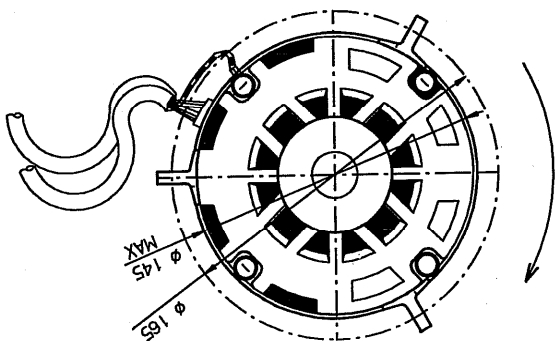
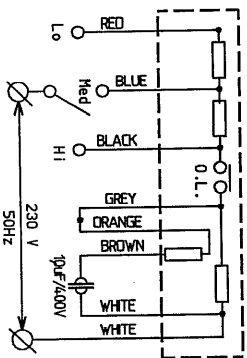


If not otherwise specified  
all dimensions in mm.



THIS CONNECTION - CV FROM WIRESIDE  
TO REVERSE - INTERCHANGE BROWN AND ORANGE



WIRE CAT#	1615301	LEV. WIRE
DESCRIPTION	COLOR	WIRE END
	YELLOW/GREEN	INS TERMINAL 5mm
LEADS	4480420	FASTON 250FEM +COVER
	WHITE, RED, BLUE, BLACK	FASTON 250FEM +COVER
	BROWN/ORANGE/WHITE	FASTON 250 MALE +COVER
	GREY	10 WIRE WHITE/RED/BLUE
Ø12mm PVC SLEEVE 05C	BLACK	300420 10 WIRE BROWN/BLUE/RED/WHITE

TYPE 438529-1 INTERSOL DYNAR  
CL.B THPR 10µF/400V  
1PH 230V 50Hz 3.5A HP:1/2  
RPM: 1280/1100/920 DATE

OLD: 33-743

<b>DRW/G.3794</b>		<b>Motor assembly - INTERSOL</b>	
Drawn	Esther 1710100	CatNo:	1315291
Approved		Motor type	4385291
Scale	1:2	Customer	OWN
Gen. tolerance	±10	CatNo:	
File:	E-GRV438-5291AASSV	Vt:	5291
		PRINT:	27107100